



Network Time Displays



Key Features

- Digital clocks automatically synchronize with NTP network time servers over an Ethernet network.
- Remote network configuration management.
- All international time zones.
- High quality, professional appearance.
- 0.5 or 2 or 4 inch digit sizes.
- High visibility with adjusted brightness.
- Multiple time and date.

The Network Time Displays are maintenance free clocks that keep accurate time by synchronizing their time over the network to a network time server. These clocks use existing Ethernet network infrastructure and the standard network time protocol (NTP) to keep the time correct. Select between analog or digital displays including 12 or 24 hour formats. All international time zones are supported so the clock should never need manual adjustment.

Attractive, professional and very visible synchronized time is easily distributed throughout a facility using existing Ethernet networks. Digital and analog clock types accommodate the different visibility and décor requirements within the facility.

Display installation and configuration is an easy, cost effective task made even easier by using existing network wiring instead of requiring dedicated cabling to distribute time signals.

Display:

A Six digits, super bright 0.5, 2 & 4 inches height seven segment Red color with single sided display which indicates hours (2 Digits), minutes (2 Digits), Second (2 Digits) and Red LED forming colon (:) as field separators between Hours, Minutes and Second. There is a dot as Sync indicator in 0.5' display and yellow LED as sync indicator in 2" and 4" display.

Network Time Displays

Specifications



Model	ND-0.5	ND-4
Display Height	Six 0.5" RED Digits (HH:MM:SS)	Six 4" RED Digits (HH:MM:SS)
Sync Indicator	Yes	Yes
12/24 Hour Mode	Yes	Yes
International Time Zones	Yes	Yes
Protocols		
NTP Client	Yes	Yes
SNTP Client	Yes	Yes
ARP, ICMP, UDP	Yes	Yes
Connectors		
Ethernet, 10BaseT, RJ-45	Yes	Yes
User Interface/Remote Access		
MS Windows GUI	Yes	Yes
Password Protected	Yes	Yes
Electrical		
Power: DC Model	5V, 1Amp	12V, 2Amp
Mechanical		
Size (Approx.) In mm	Width x Height x Depth 242x 89x 150	Width x Height x Depth 600 x 225 x 75
Temperature	-20 to +80 Degree C	-20 to +80 Degree C
Weight	Less than 1 kg	Less than 3 kg
Mounting	Table top / Rack	Wall
Material/Housing	Black coloured Powder Coated MS Sheet (CRCA sheet conforming to IS: 5131994 grade 'D' material. The CRCA sheet of uniform thickness and of 22 gauge (0.8 mm).	Black coloured Powder Coated MS Sheet (CRCA sheet conforming to IS: 5131994 grade 'D' material. The CRCA sheet of uniform thickness and of 22 gauge (0.8 mm).
Product Includes		
DC powered models	Display, DC Power Adaptor, Manual and MS Windows based configuration software on CD.	Display, DC Power Adaptor, Manual and MS Windows based configuration software on CD.

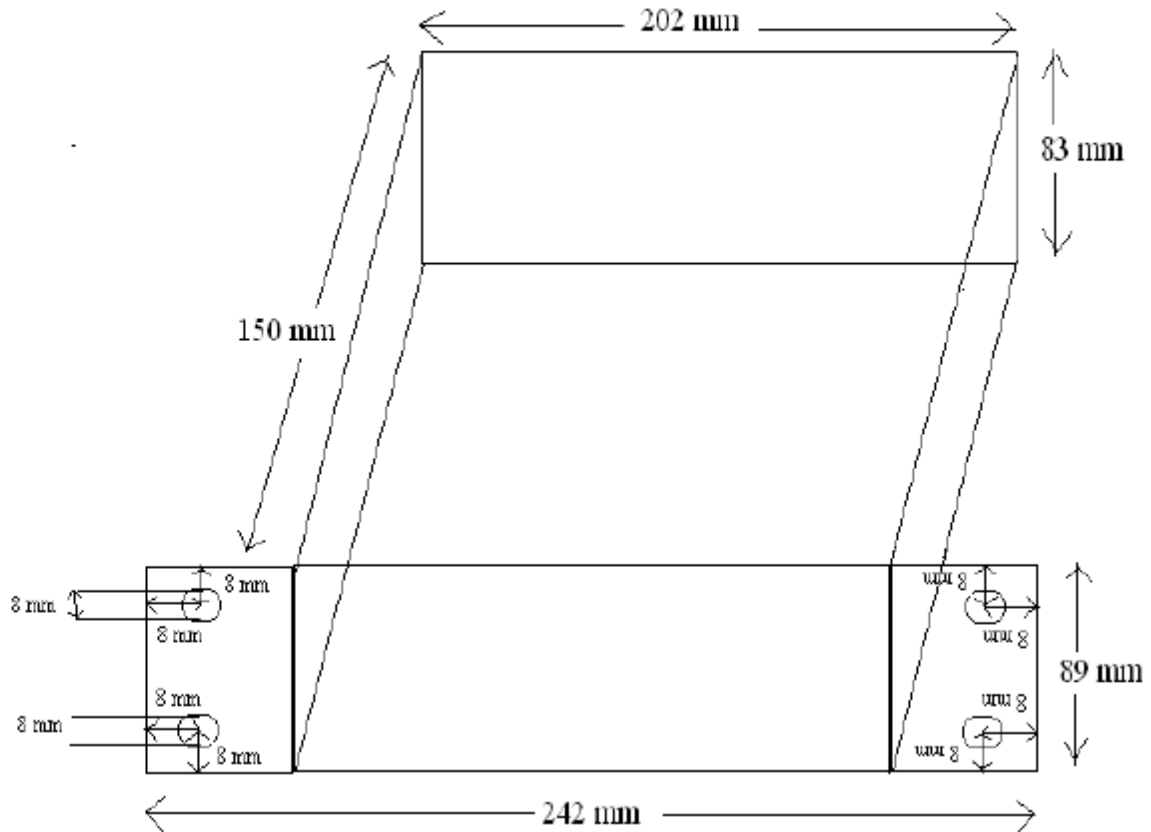


AVRONICA SOLUTIONS PRIVATE LIMITED
H/No.-37, RAMJAIPAL NAGAR,
GOLA ROAD, BAILEY ROAD, DANAPUR,
PATNA – 801503.

www.avronica.com
E-mail: info@avronica.com
Phone: + 91 9798639145
+ 91 9334543331

Network Time Displays

NTP 0.5 Inch Display Dimension

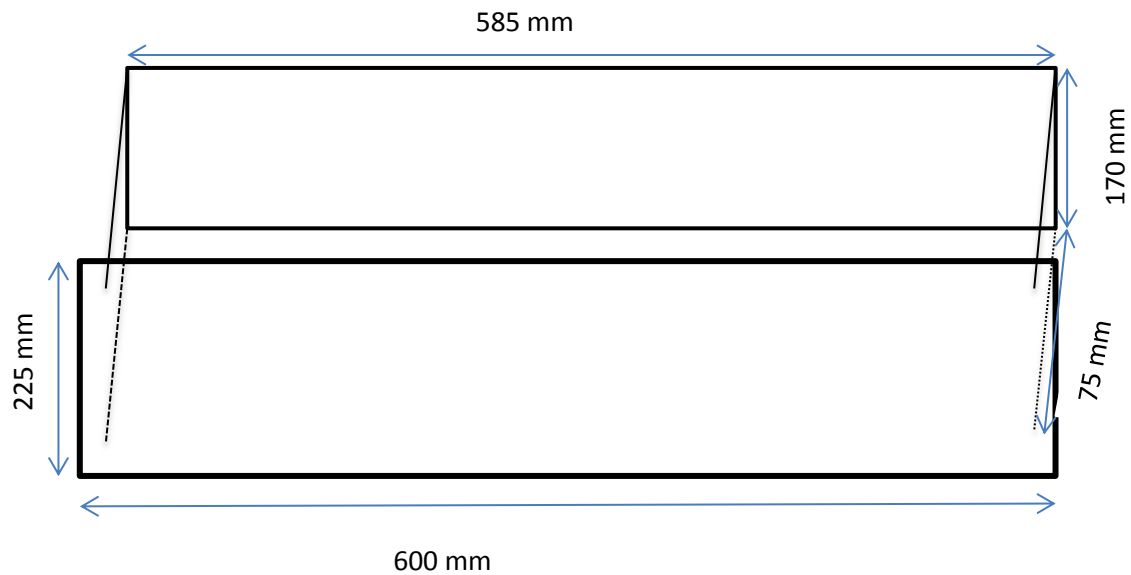


AVRONICA SOLUTIONS PRIVATE LIMITED
H/No.-37, RAMJAIPAL NAGAR,
GOLA ROAD, BAILEY ROAD, DANAPUR,
PATNA – 801503.

www.avronica.com
E-mail: info@avronica.com
Phone: + 91 9798639145
+ 91 9334543331

Network Time Displays

NTP 4 Inch Display
Dimension



AVRONICA SOLUTIONS PRIVATE LIMITED
H/No.-37, RAMJAIPAL NAGAR,
GOLA ROAD, BAILEY ROAD, DANAPUR,
PATNA – 801503.

www.avronica.com
E-mail: info@avronica.com
Phone: + 91 9798639145
+ 91 9334543331