



GPS Master and Slave Clocks Network

Key Features

- GPS Based Digital clocks automatically synchronize (self correct) with GPS Satellite.
- High quality, professional appearance.
- 0.5 / 2 / 4 inch digit sizes.
- High visibility with adjusted brightness.
- Multiple time and date.

The GPS Synchronized Network Time Displays are maintenance free clocks that keep accurate time by synchronizing their time over the jelly filled armored cable network to a GPS Clock. These clocks use two wired standard RS485 serial protocol to keep the time correct. Select between digital displays including 12 or 24 hour formats. Automatic time synchronization are supported so the clock should never need manual adjustment.

Avronica offers a wired clock system for organizations with time-sensitive operations. The system is compatible with standard network interface as a master clock for traceability to UTC (Coordinated Universal Time). Time from the GPS Clock is broadcast by a two wire, synchronizing the displays to all other network clock systems throughout the facility.

Attractive, professional and very visible synchronized time is easily distributed throughout a facility using wired networks. Digital and analog clock types accommodate the different visibility and décor requirements within the facility.

Display installation and configuration is an easy, cost effective task made even easier by using wired network interface instead of requiring dedicated cabling to distribute time signals. Slave Clock keeps ticking with its internal RTC during no fix RTC has battery backup to keep time running during power off.



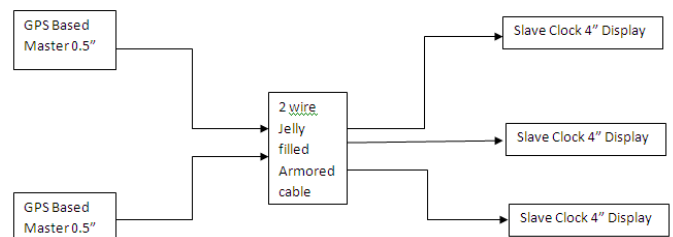
Display:

A Six (or four) digits, super bright 0.5 / 2 / 4 inches height seven segment Red color with single sided display which indicates hours (2Digits), minutes (2 Digits), Second (2 Digits) and Red LED forming colon (:) as field separators between Hours, Minutes and Second. There is a dot as Sync or link loss indication.



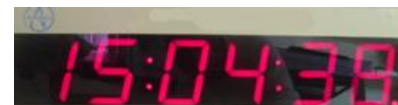
Wall Mounted with screw holder provided on the back side of the clock

Block Diagram



Network Time Displays

Specifications



Model	GP485-0.5	SLV485-2.0	SLV485-4.0
Display Height	Six 0.5" RED Digits (HH:MM:SS)	Four 2" RED Digits (HH:MM)	Six 4" RED Digits (HH:MM:SS)
View Angle more than 60°	Yes	Yes	Yes
Sync Indicator	Yes	Yes	Yes
12/24 Hour Mode and Switch to Set Time	Yes	Yes	Yes
Connectors			
RS-485 DB9	Yes	Yes	Yes
GPS Antenna SMA	Yes	No	No
Electrical			
Power: DC Model	12V, 1Amp	12V, 1.5Amp	12V, 2Amp
Power: AC Model (Optional)	220V, 50Hz	220V, 50Hz	220V, 50Hz
RTC Rechargeable Battery	3.6v 60mah Ni-Cd	3.6v 60mah Ni-Cd	3.6v 60mah Ni-Cd
Mechanical			
Size (Approx) Inches	Width x Height x Depth 9.5" x 3.5" x 6"	Width x Height x Depth 9.5" x 4" x 2.5" Wall Mounted 17" x 5" x 3" Rack Mounted	Width x Height x Depth 24" x 8" x 2.75"
Temperature	0 - 70 Degree C	0 - 70 Degree C	0 - 80 Degree C
Weight	Less than 1.5 kg	Less than 2 kg	Less than 4 kg
Mounting	Table top / Rack / Panel	Rack / Wall	Wall
Material/Housing	Black/Gray colored Powder Coated MS Sheet / CRCA sheet	Black/Gray colored Powder Coated MS Sheet / CRCA sheet	Black/Gray colored Powder Coated MS Sheet / CRCA sheet
Product Includes			
AC powered models	Display, power cord, GPS Antenna with three meter cable and manual	Display, power cord and manual	Display, power cord and manual
DC powered models	Display, DC Power Adaptor, GPS Antenna with three meter cable and Manual	Display, DC Power Adaptor and Manual	Display, DC Power Adaptor and Manual

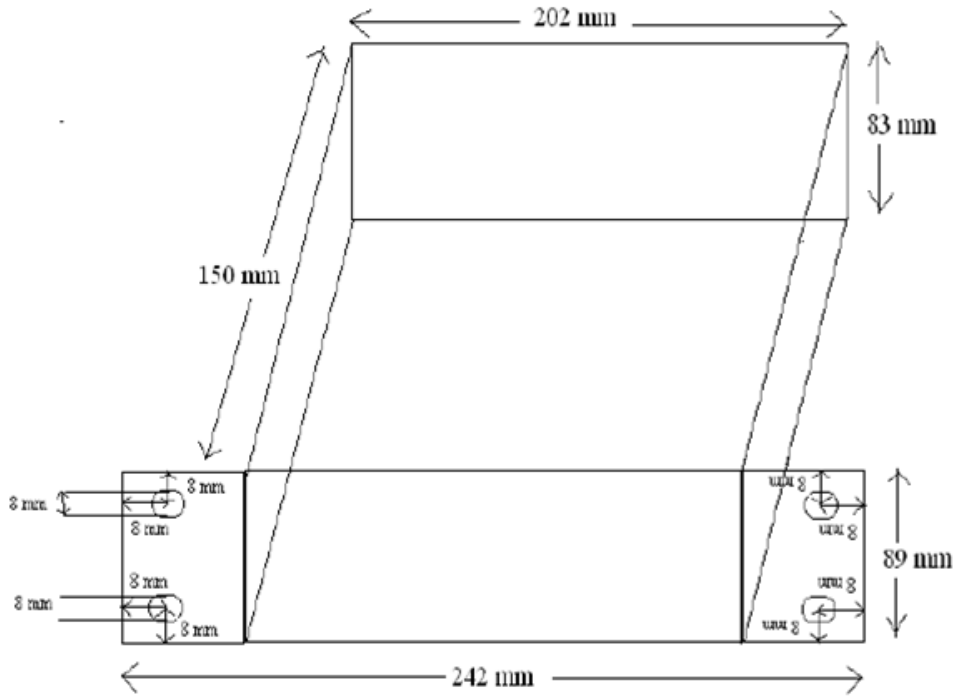


AVRONICA SOLUTIONS PRIVATE LIMITED
H/No.-37, RAMJAIPAL NAGAR,
GOLA ROAD, BAILEY ROAD, DANAPUR,
PATNA – 801503.

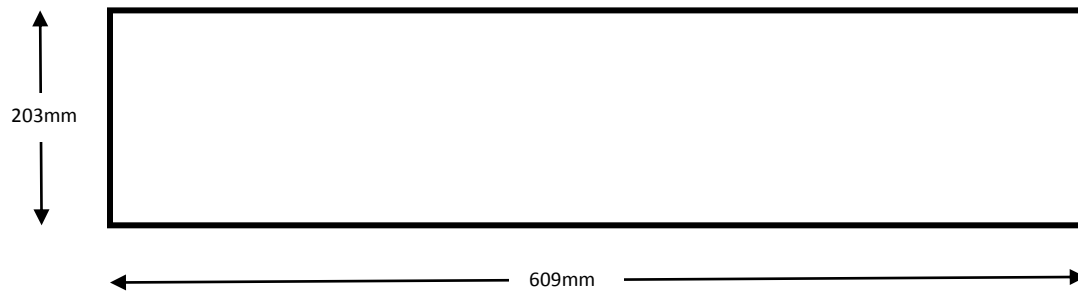
www.avronica.com
E-mail: info@avronica.com
Phone: + 91 9798639145
+ 91 9334543331

Master Clock

0.5 Inch Display Dimension



4 Inch Slave Clock Display Dimension



AVRONICA SOLUTIONS PRIVATE LIMITED
 H/No.-37, RAMJAIPAL NAGAR,
 GOLA ROAD, BAILEY ROAD, DANAPUR,
 PATNA – 801503.

www.avronica.com
 E-mail: info@avronica.com
 Phone: + 91 9798639145
 + 91 9334543331